

Wedgewood

MODELS:

T2122, T2142, T2130, and T2150

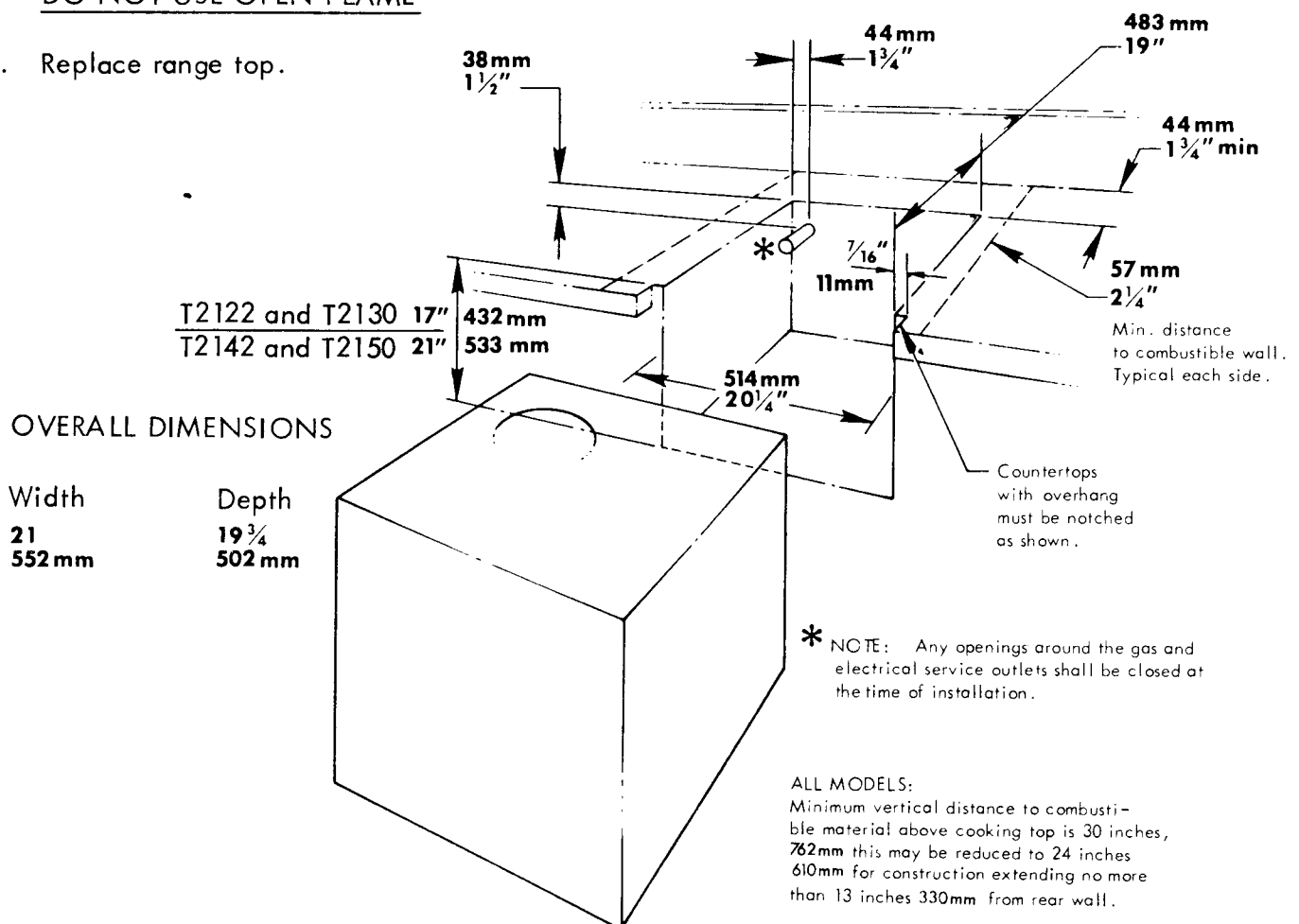
WEDGEWOOD INDUSTRIES, INCORPORATED

BOX R GREEN BRIER, TENNESSEE 37073

INSTALLATION INSTRUCTIONS

1. Check applicable state and local codes.
2. Construct cabinets as shown below.
3. Place range in enclosure without pushing it all the way into the cutout.
4. Remove range top.
5. Slide range all the way into enclosure.
6. Fasten in place with wood screws through holes that are provided.
7. Make gas connection.
8. Check connections for gas leaks with soapy water
DO NOT USE OPEN FLAME

9. Replace range top.



OPERATING AND MAINTENANCE INSTRUCTIONS

LIGHTING AND RE-LIGHTING:

1. Verify top burner valves are OFF and oven control positioned to "PILOTS OFF."
2. Turn gas supply on.

NOTE: Disregard all references to top burner pilot for Models T2122, T2142 and Models T2130, T2150 without top burner pilot.

3. Open oven door and lift main top. Press in and turn control fully CLOCKWISE (CW) from "PILOTS OFF" to "OFF" position. Light top burner and oven pilots with match. Top burner pilot should be about 3/8" 10mm high. To adjust, remove oven control knob and adjust screw on front of control. Oven pilot is factory set and not adjustable.
4. Check oven operation by turning control to 400^oF 200^oC. Oven burner should ignite in 20-30 seconds. (This delay is normal- the action is due to oven safety valve operation which is employed for your protection.)
5. If either pilot should become extinguished, turn gas supply off at range shut-off valve, wait 5 minutes and then re-light - starting with Step #1 above.
6. For complete shut-down, turn oven control to "PILOTS OFF" position. CAUTION: Control must be turned counter-clockwise (CCW) to BROIL, depressed, and then turned to PILOTS OFF. Attempts to turn clockwise from OFF to PILOTS OFF will permanently damage control.

CLEANING:

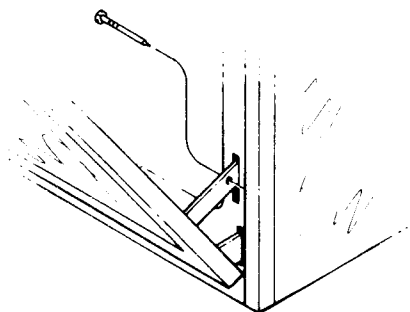
Porcelain Surfaces - Clean as soon after spill-overs or spotting as possible. Never wash warm porcelain. Grit or acid-type cleaners should never be used. Continuous Clean Ovens - See separate instructions.

The burner main top can be removed for cleaning by lifting front edge and pulling out and up. Be sure burner pilot flash tubes are in place and pilot burning before replacing top. If cleaning compounds are used on burner heads, be sure all ports are open before using. A toothpick is an ideal tool for this purpose.

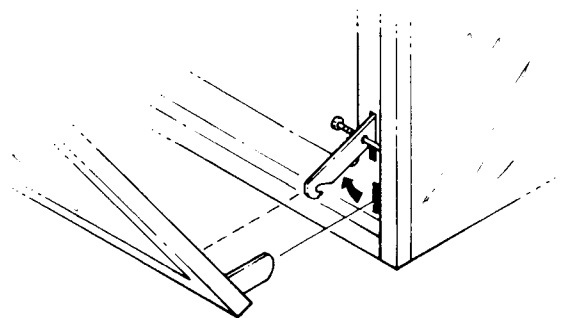
MAINTENANCE:

Except for proper cleaning, no owner maintenance is necessary or anticipated. However, should service be required, consult your Wedgewood Service Locations Guide for the nearest Factory Authorized Service Center. If necessary, you may contact the nearest Wedgewood Facility listed on page "ii" in the guide for service assistance. To properly serve you, we will need the Model and Serial Number of your range and, if possible, complete parts description and symptoms of the problem.

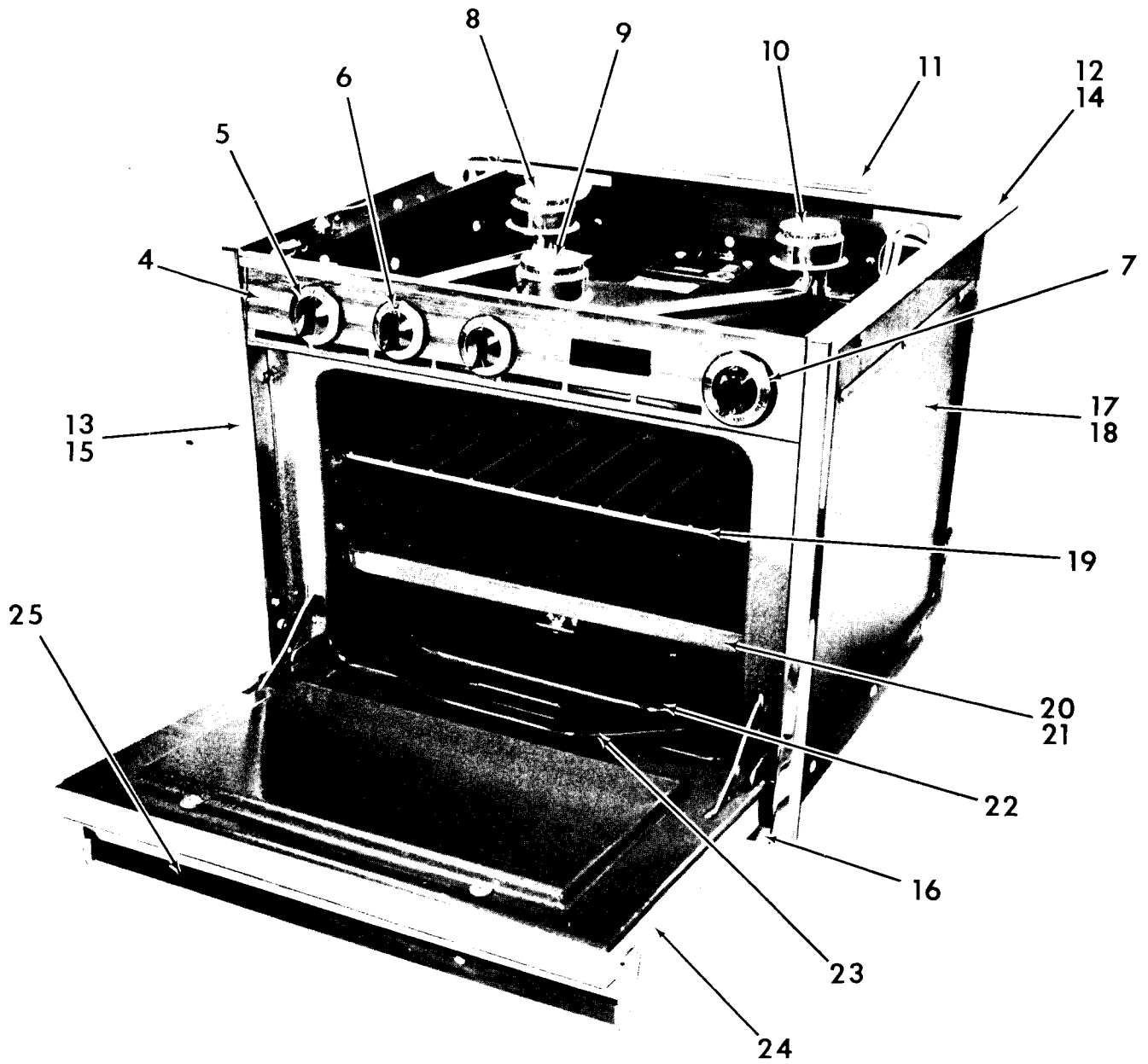
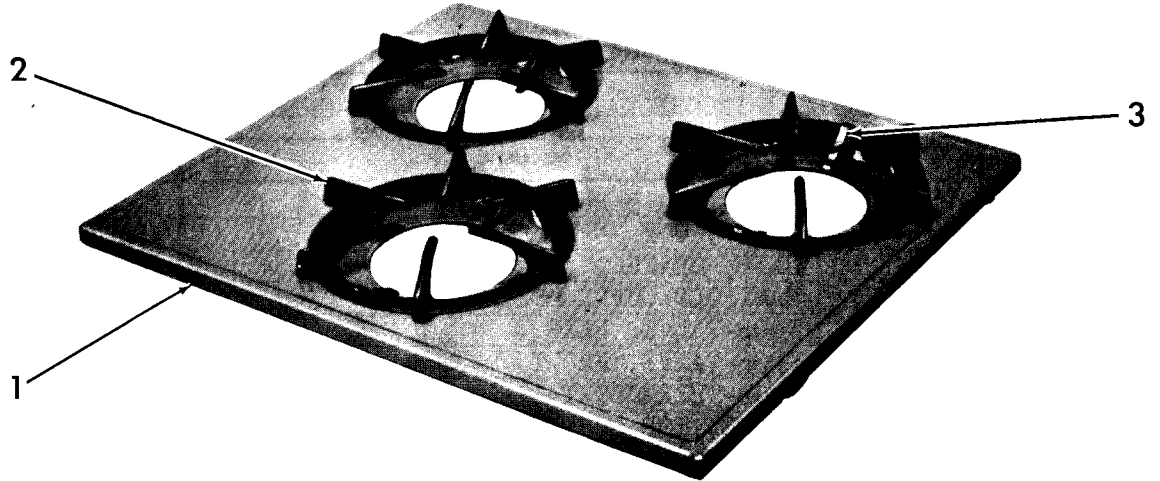
DOOR REMOVAL AND REPLACEMENT



1. Place door in open position.
2. Insert a nail or rod into the hole of the arm connecting the door to the range.



3. Grasp the arm close to the door liner and raise up both arms. This unhooks the arms from the door allowing the door to move forward and off.
4. To replace door, place the two hinge arms into slots on front frame. Raise the door up to the arms and rehook by raising arms as removing.



Wedgewood

MODELS:

T-2122, T2122C, T2122W, T2122B/G, T2122B/GC
 T2142, T2142C, T2142W, T2142B/G, T2142B/GC

NOTE: SPECIFY FINISH AND/OR COLOR WHEN ORDERING PARTS

WEDGEWOOD INDUSTRIES, INCORPORATED BOX R GREEN BRIER, TENNESSEE 37073

CODE	PART NO.	QTY	DESCRIPTION	REMARKS
1	39-01515	1	MAIN TOP, 3 BURNER	ALL
2	39-01006	3	GRATE, TOP	ALL
3	39-01406	1	CLIP, GRATE	ALL
4	39-01296	1	MANIFOLD COVER ASSEMBLY	ALL
5	39-02043	2	KNOB-VALVE, REAR	ALL
6	39-02042	1	KNOB-VALVE, FRONT	ALL
7	39-02041	1	KNOB-THERMOSTAT	ALL
	39-01224	3	VALVE, TOP BURNER	ALL
	39-01273	1	MANIFOLD, 3 BURNER	ALL
	39-01351	6	BOLTS, VALVE 10-24 x 3/8	ALL
	39-01362	4	GASKET, VALVE	ALL
	39-01177	1	SAFETY VALVE AND PILOT ASSEMBLY	ALL
	39-01223	1	OVEN BURNER	ALL
8	39-01234	1	BURNER, LEFT REAR	ALL
9	39-01233	1	BURNER, CENTER FRONT	ALL
10	39-01235	1	BURNER, RIGHT, REAR	ALL
	39-01183	1	THERMOSTAT, NO TOP PILOT	ALL
	39-01349	2	BOLTS, THERMOSTAT 10-24 x 1-1/8	ALL
11	39-01525	1	TRIM VENT	ALL
12	39-01522	1	TRIM, TOP AND FRONT R.H.	T2122 SERIES
13	39-01521	1	TRIM, TOP AND FRONT L.H.	T2122 SERIES
14	39-01524	1	TRIM, TOP AND FRONT, R.H.	T2142 SERIES
15	39-01523	1	TRIM, TOP AND FRONT, L.H.	T2142 SERIES
16	39-01526	1	TRIM, BOTTOM	ALL
17	39-01501	2	BODY, SIDE	T2122 SERIES
18	39-01502	2	BODY, SIDE	T2142 SERIES
19	39-01069	1	RACK, OVEN	ALL
20	39-01657	1	BOTTOM, OVEN	ALL
21	39-01017A	1	BROILER PAN & GRILL	ALL
	39-02158	1	STRETCH SEAL	ALL
24	39-01820	1	DOOR ASSY. W/O GLASS. W/HANDLE	T2122
	39-01430	1	DOOR ASSY.W/GLASS, W/HANDLE	T2122WC
	39-01431	1	DOOR ASSY. BLACK GLASS, W/HANDLE	T2122B/GC (Shown)
	39-01429	1	DOOR ASSY, W/O GLASS, W/HANDLE	T2122C
	39-01822	1	DOOR ASSY, W/GLASS, W/HANDLE	T2122W
	39-01824	1	DOOR ASSY, B/G, W/HANDLE	T2122B/G
	39-01830	1	DOOR ASSY, W/O GLASS, W/HANDLE	T2142
	39-01437	1	DOOR ASSY, W/GLASS, W/HANDLE	T2142WC
	39-01438	1	DOOR ASSY, B/G, W/HANDLE	T2142B/GC (Shown)
	39-01436	1	DOOR ASSY, W/O GLASS W/ HANDLE	T2142C
	39-01832	1	DOOR ASSY, W/GLASS, W/HANDLE	T2142W
24	39-01834	1	DOOR ASSY, B/G, W/HANDLE	T2142B/G
25	39-01085	1	HANDLE, DOOR	ALL EXCEPT B/G
26	39-01086	1	HANDLE, DOOR B/G	ALL BLACK GLASS
	39-01405	*	SPRING, DOOR HINGE (SMALL)	* AS REQUIRED
	39-01404	*	SPRING, DOOR HINGE (LARGE)	* AS REQUIRED
	39-01356	1	INSTALLATION INSTRUCTIONS	ALL
	39-01361	*	INSTRUCTIONS, CONT, CLEAN OVEN	* AS REQUIRED



Wedgewood INDUSTRIES, inc.

P. O. BOX R

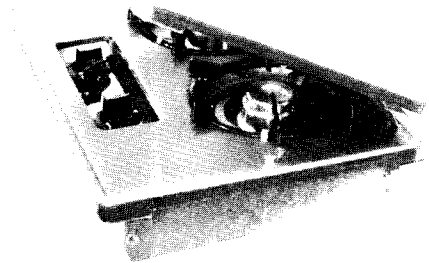
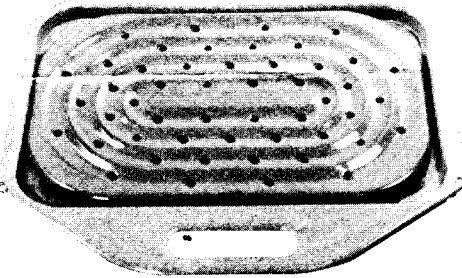
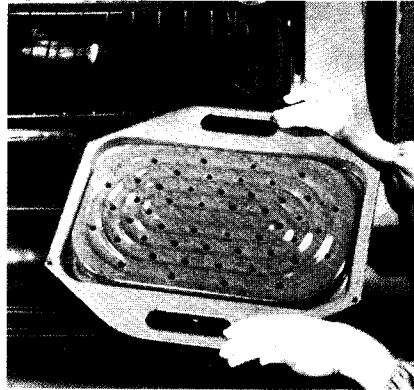
GREENBRIER, TENNESSEE 37073

Order Direct and Save!!

Wedgewood Industries, Inc. now offers its popular accessories directly to the consumer. Check over the smart-looking items below and drop your order in the mail to us for immediate handling.

BROILER PAN

Beautiful full-sized porcelain enamel two-piece broiler pan. This unit is designed especially for your WEDGEWOOD range and has a dependable, easy-to-clean surface for trouble free broiling. Finally a broiler-pan like Mom has at home!



SINGLE LIFT COVER TOP

This beautiful lift-up cover top fits our two and three burner drop-in units. The top comes completely assembled, with mounting screws and rubber corner guards for a silent noise-free application. The valuable additional counter space this accessory provides is a must for campers. (Fits models W7102 and W7103 only. Specify two or three burners.)

WEDGEWOOD INDUSTRIES, INC.

P.O. Box R • Kelly Willis Road
GREENBRIER, TENNESSEE 37073

Yes, please send me the following accessories at once!
I have enclosed my _____check _____money order.

Quantity _____ Two-piece broiler pan—only \$11.95 ea.

Quantity _____ Bi-fold top cover—only \$19.95 ea.

Quantity _____ Single lift cover top—only \$13.95 ea.

Quantity _____ Pilot igniter—only \$8.95 ea.

Allow 4-6 weeks delivery!
(All payments must be in U. S. dollars.)

Name _____

Address _____

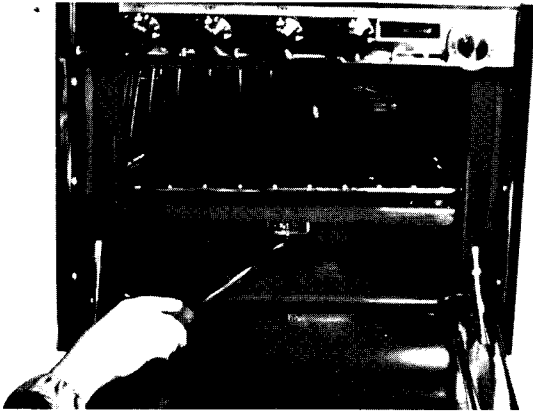
City _____

State _____ Zip _____

PLEASE ADD \$.75 PER ITEM FOR POSTAGE AND HANDLING

GAS RANGE PILOT AND BURNER IGNITER

Probably the most popular gas range accessory on the market, this handy lighter is self-contained which means no flints, no batteries, no fuss. Positive, every-time sparking at the flick of a button.



No more hunting matches, no more burned hands trying to reach that oven pilot, full 15" in length, ideal for hard to reach areas. Also is good for lighting butane, propane or gasoline outdoor barbecues and grills.

GUARANTEED for 100,000 lights or a free replacement.

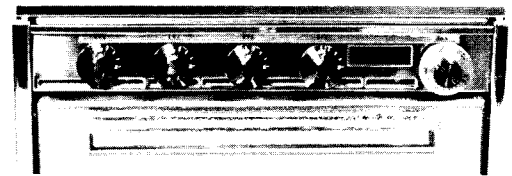
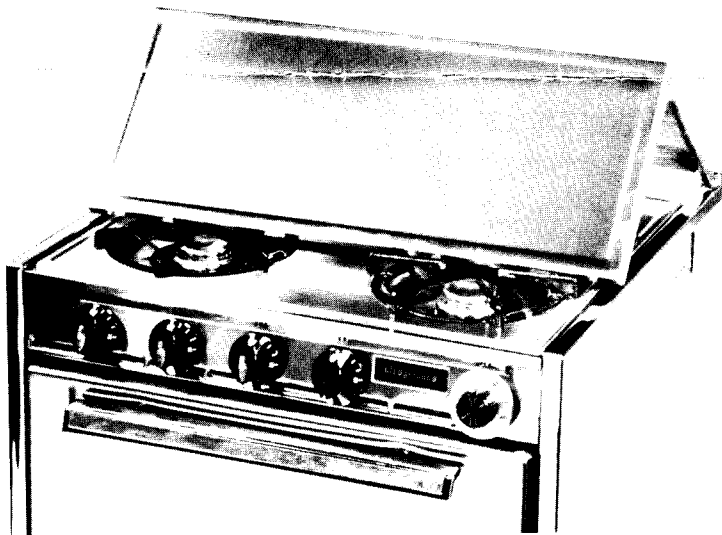
Don't miss this one!!!



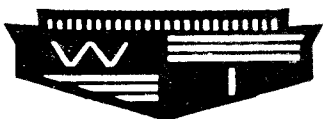
BI-FOLD TOP COVER AND BACK SPLASH

This accessory is as important as any in the RV industry. While we are all trying to give Mom all of the comforts of home in her travel trailer or coach, additional counter-top space is her favorite.

With this attractive brushed-chrome two-fold cover, you can immediately turn your gas range into a durable counter-top that will not only hold your extra pots and pans but will fold back to provide you a beautiful back splash while you are using your WEDGEWOOD gas range. The cover top easily installs without tools or screws and comes completely assembled. (Fits all models except W2172, W7102 and W7103.)



Also, inquire about our replacement accessories such as top grates, additional oven racks, burner knobs, etc.



Wedgewood INDUSTRIES, inc.

P. O. BOX R

GREENBRIER, TENNESSEE 37073